

Technical Data Sheet

Compressor model **B60C5BL**
 Voltage **110-120V 60Hz ~1**
 Refrigerant **R600a**

APPLICATION

Application Low Back Pressure
 Refrigerant R600a
 Evaporating Temp. -35,0 °C to -15,0 °C
 Expansion Capillar
 Comp. Cooling Static
 Max. ambient temp. 43,0 °C

COMPRESSOR

Displacement 6,00 cm³
 Diameter 21,00 mm
 Stroke 17,30 mm
 Net Weight 5,20 Kg
 Oil type ISO VG 10 MINER
 Oil charge 130 cm³

MOTOR

Nominal Power 1/8 hp
 Voltage/Frequency 110-120V 60Hz
 Voltage range 94-127 V
 Type RSCR
 Phase number 1 PH
 Locked Rotor Amps (LRA) 7,24 A
 Main W. resist. at 25°C 6,30 Ω
 Start W. resist. at 25°C 10,90 Ω

NOMINAL PERFORMANCE

	ASHRAE	CECOMAF
Cooling Capacity	94 kCal/h	82 W
COP	1,40 W/W	1,10 W/W
EER	1,21 kCal/Wh	0,95 kCal/Wh
Input Power	78 W	74 W
Current	1,30 A	1,27 A

APPROVALS



TEST CYCLE CONDITIONS

	ASHRAE LBP (B)	CECOMAF LBP (A)
Evaporating temp. (T _e)	-23,3 °C	-25,0 °C
Condensing temp. (T _c)	55,0 °C	55,0 °C
Liquid temp. (T _{liq.})	32,0 °C	55,0 °C
Ambient temp. (T _{amb.})	32,0 °C	32,0 °C
Suction temp. (T _{suction})	32,0 °C	32,0 °C
Voltage/Frequency	115 V 60 Hz	115 V 60 Hz

ELECTRICAL COMPONENTS

Run capacitor	5 μF 250 V			
Relay	Option 1	Option 2	Option 3	
Reference	JPQ-4.7 (017)	QP2-4.7 (017)	QP2-4R7 (017)	
Voltage	V	V	V	
Resistance	Ω	Ω	Ω	
Protector	Option 1	Option 2	Option 3	
Reference	BT68-135 (002)	BT68-135A61D3 (002)	DRB243S61A2 (002)	
Current				
Time check				
Disc temp. (Open/Close)				

This product is approved for R290 and R600a regarding explosion safety according to standard EN 60335-1 and EN 60335-2-34

ASHRAE

Tc °C	Te °C	Cooling Capacity kCal/h	Consumption W	Current A	COP W/W	EER kCal/Wh
40	-35	56	59	1,12	1,10	0,95
40	-30	75	68	1,21	1,27	1,09
40	-25	98	79	1,31	1,45	1,24
40	-23,3	108	83	1,35	1,51	1,30
40	-20	127	91	1,42	1,63	1,40
40	-15	162	104	1,54	1,81	1,56
40	-10	201	118	1,67	1,98	1,70

45	-35	53	58	1,11	1,07	0,92
45	-30	71	67	1,20	1,23	1,06
45	-25	94	77	1,29	1,41	1,21
45	-23,3	103	81	1,33	1,48	1,27
45	-20	122	89	1,40	1,60	1,37
45	-15	156	102	1,52	1,78	1,53
45	-10	194	116	1,65	1,95	1,68

50	-35	51	57	1,10	1,03	0,89
50	-30	68	66	1,18	1,19	1,03
50	-25	90	76	1,28	1,38	1,18
50	-23,3	99	80	1,32	1,44	1,24
50	-20	117	87	1,39	1,56	1,34
50	-15	150	100	1,50	1,75	1,50
50	-10	188	113	1,63	1,93	1,66

55	-35	48	56	1,09	1,00	0,86
55	-30	64	65	1,17	1,16	0,99
55	-25	86	74	1,27	1,34	1,15
55	-23,3	94	78	1,30	1,40	1,21
55	-20	112	85	1,37	1,53	1,31
55	-15	144	98	1,48	1,72	1,48
55	-10	181	111	1,61	1,90	1,63

60	-35	45	55	1,08	0,96	0,82
60	-30	61	63	1,16	1,11	0,96
60	-25	81	73	1,25	1,30	1,12
60	-23,3	89	76	1,28	1,36	1,17
60	-20	107	84	1,35	1,49	1,28
60	-15	138	96	1,47	1,68	1,45
60	-10	174	109	1,59	1,87	1,60

CECOMAF

Tc °C	Te °C	Cooling Capacity W	Consumption W	Current A	COP W/W	EER kCal/Wh
40	-35	61	59	1,12	1,04	0,90
40	-30	83	68	1,21	1,21	1,05
40	-25	110	79	1,31	1,39	1,20
40	-23,3	120	83	1,35	1,45	1,25
40	-20	141	91	1,42	1,56	1,35
40	-15	178	104	1,54	1,72	1,48
40	-10	220	118	1,67	1,86	1,61

45	-35	56	58	1,11	0,97	0,84
45	-30	76	67	1,20	1,13	0,98
45	-25	100	77	1,29	1,30	1,12
45	-23,3	110	81	1,33	1,35	1,17
45	-20	130	89	1,40	1,46	1,26
45	-15	165	102	1,52	1,62	1,40
45	-10	204	116	1,65	1,77	1,53

50	-35	51	57	1,10	0,90	0,77
50	-30	69	66	1,18	1,04	0,90
50	-25	91	76	1,28	1,20	1,04
50	-23,3	100	80	1,32	1,26	1,09
50	-20	119	87	1,39	1,36	1,18
50	-15	151	100	1,50	1,52	1,31
50	-10	189	113	1,63	1,67	1,44

55	-35	46	56	1,09	0,82	0,71
55	-30	61	65	1,17	0,95	0,82
55	-25	82	74	1,27	1,10	0,95
55	-23,3	90	78	1,30	1,15	1,00
55	-20	107	85	1,37	1,26	1,09
55	-15	138	98	1,48	1,41	1,22
55	-10	173	111	1,61	1,56	1,35

60	-35	41	55	1,08	0,74	0,64
60	-30	54	63	1,16	0,86	0,74
60	-25	73	73	1,25	1,00	0,86
60	-23,3	80	76	1,28	1,05	0,91
60	-20	96	84	1,35	1,15	0,99
60	-15	124	96	1,47	1,30	1,13
60	-10	158	109	1,59	1,45	1,25

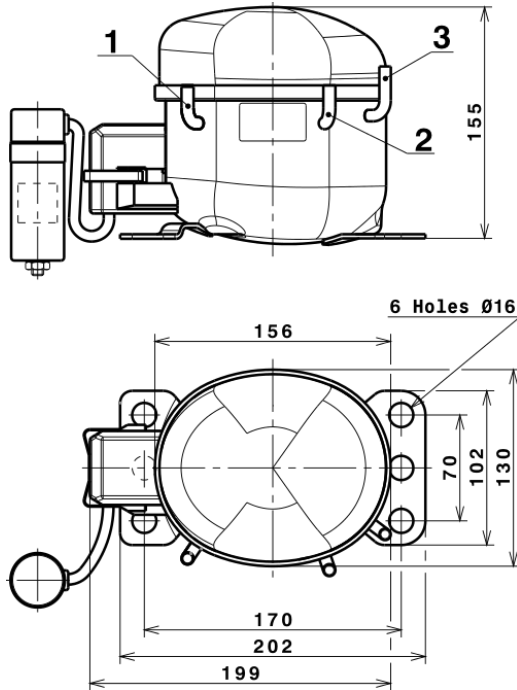
EN12900

X	Cooling Capacity (W)	Consumption (W)	Current (A)	Mass Flow (kg/h)
1	469,7437057020	176,9356157100	2,2205556339	4,7583778498977
2	13,9276052818	3,9672102128	0,0366123997	0,15621156822262
3	-3,9844626731	-0,5863343930	-0,0054087965	-0,021714821779776
4	0,0965169976	0,0247599806	0,0002203743	0,0013986422404381
5	-0,0847290863	-0,0109175085	-0,0000985739	-0,00042252994116746

Equation	$x_1 + x_2Te + x_3Tc + x_4Te^2 + x_5TeTc$
----------	---

Technical Data Sheet

COMPRESSOR DIMENSIONS

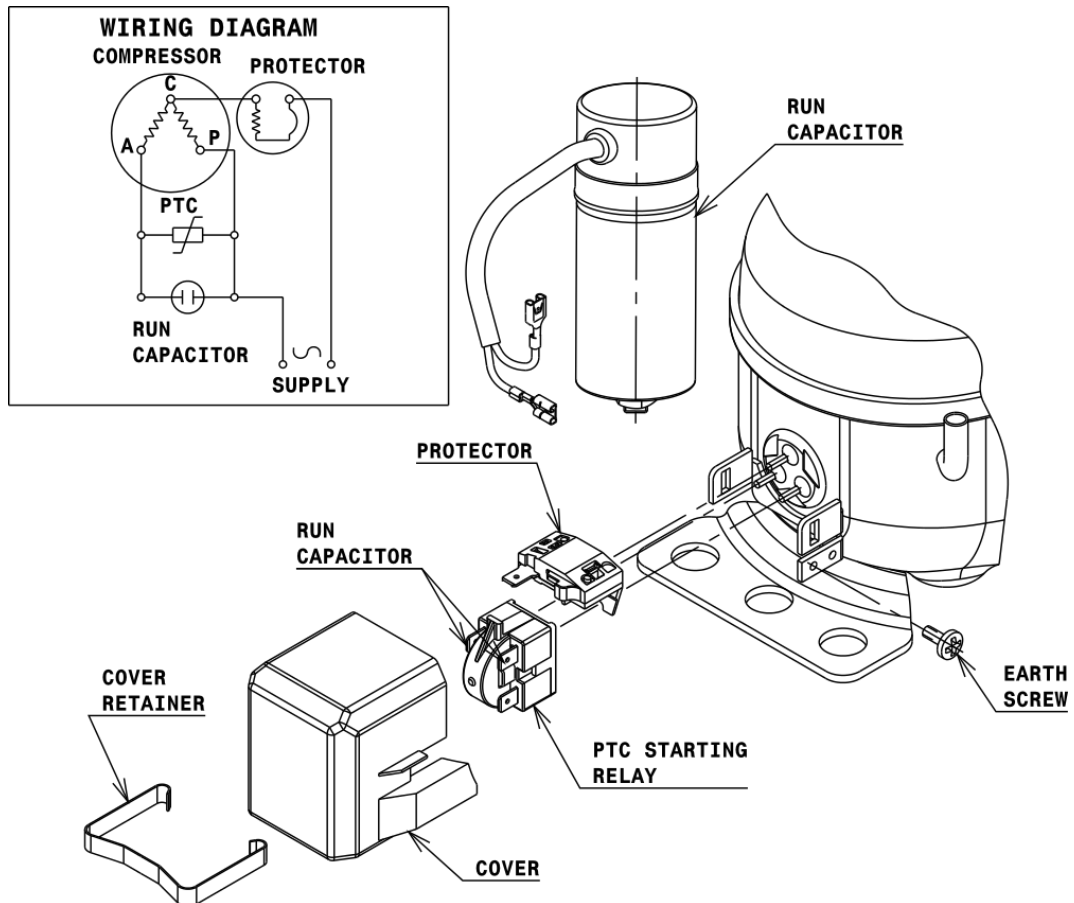


DESIGNATION INTERNAL DIAM.

DESIGNATION	INTERNAL DIAM.
1 Suction	6,1 mm
2 Service	6,1 mm
3 Discharge	5,1 mm

WIRING DIAGRAMS AND ELECTRICAL ASSEMBLY

RSCR CONNECTION (B, Small L ranges)



Technical Data Sheet

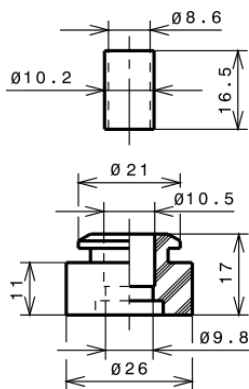
FIXINGS



SILENT BLOCKS (MOUNTING ACCESSORIES)

STANDARD

Ø16 holes (170x70 net)



SOA

SOA R600a LBP

