

Technical Data Sheet

Compressor model **GL60MG**
 Voltage **230V 50/60Hz ~1**
 Refrigerant **R134a**

APPLICATION		COMPRESSOR		MOTOR	
Application	High Back Pressure	Displacement	5,98 cm ³	Nominal Power	1/5 hp
Refrigerant	R134a	Diameter	20,88 mm	Voltage/Frequency	230V 60Hz
Evaporating Temp.	-15,0 °C to 10,0 °C	Stroke	17,47 mm	Voltage range	196-244 V
Expansion	Capillar/Valve	Net Weight	9,00 Kg	Type	CSIR
Comp. Cooling	Static	Oil type	ISO VG 32 ESTER	Phase number	1 PH
Max. ambient temp.	43,0 °C	Oil charge	295 cm ³	Locked Rotor Amps (LRA)	9,90 A
Compatible refriger.	R1234yf			Max. Cont. Current (MCC)	2,80 A
				Main W. resist. at 25°C	12,00 Ω
				Start W. resist. at 25°C	30,00 Ω

NOMINAL PERFORMANCE

	ASHRAE	CECOMAF
Cooling Capacity	520 kCal/h	499 W
COP	2,02 W/W	1,73 W/W
EER	1,73 kCal/Wh	1,49 kCal/Wh
Input Power	300 W	289 W
Current	1,65 A	1,61 A

APPROVALS



TEST CYCLE CONDITIONS

	ASHRAE HBP (D)	CECOMAF HBP (C)
Evaporating temp. (T _e)	7,2 °C	5,0 °C
Condensing temp. (T _c)	55,0 °C	55,0 °C
Liquid temp. (T _{liq.})	46,0 °C	55,0 °C
Ambient temp. (T _{amb.})	35,0 °C	32,0 °C
Suction temp. (T _{suction})	35,0 °C	32,0 °C
Voltage/Frequency	230 V 60 Hz	230 V 60 Hz

ELECTRICAL COMPONENTS

Starting capacitor	47- 56 µF 330 V			
Relay	Option 1			
Reference	2014 127.			
Pick-Up	4,80 A			
Drop-Out	4,10 A			
Protector	Option 1	Option 2		
Reference	T0490	AE11FU		
Current	9,40 A	9,40 A		
Time check	7,5-14 seg	7,5-14 seg		
Disc temp. (Open/Close)	130,00 / 62,00 °C	120,00 / 62,00 °C		

ASHRAE

Tc °C	Te °C	Cooling Capacity kCal/h	Consumption W	Current A	COP W/W	EER kCal/Wh
40	-15	295	190	1,25	1,81	1,55
40	-10	335	199	1,28	1,95	1,68
40	-5	396	213	1,33	2,16	1,86
40	0	479	231	1,39	2,41	2,07
40	5	583	253	1,47	2,68	2,30
40	7,2	635	264	1,51	2,80	2,41
40	10	708	279	1,57	2,95	2,53

45	-15	273	195	1,26	1,63	1,40
45	-10	310	206	1,30	1,75	1,50
45	-5	367	221	1,36	1,93	1,66
45	0	446	241	1,43	2,16	1,85
45	5	546	264	1,52	2,40	2,07
45	7,2	597	276	1,56	2,51	2,16
45	10	667	292	1,62	2,66	2,28

50	-15	252	200	1,28	1,46	1,26
50	-10	284	213	1,33	1,56	1,34
50	-5	338	229	1,39	1,71	1,47
50	0	413	250	1,46	1,92	1,65
50	5	509	276	1,56	2,15	1,85
50	7,2	558	288	1,60	2,25	1,94
50	10	627	305	1,67	2,39	2,05

55	-15	230	205	1,30	1,30	1,12
55	-10	259	219	1,35	1,37	1,18
55	-5	309	237	1,42	1,51	1,30
55	0	380	260	1,50	1,70	1,46
55	5	473	287	1,60	1,92	1,65
55	7,2	520	300	1,65	2,02	1,73
55	10	586	318	1,72	2,14	1,84

60	-15	208	210	1,32	1,15	0,99
60	-10	233	226	1,37	1,20	1,03
60	-5	280	246	1,45	1,32	1,14
60	0	347	270	1,54	1,50	1,29
60	5	436	298	1,64	1,70	1,46
60	7,2	482	312	1,70	1,80	1,54
60	10	546	331	1,77	1,92	1,65

65	-15	187	215	1,34	1,01	0,87
65	-10	208	232	1,40	1,04	0,90
65	-5	250	254	1,48	1,15	0,99
65	0	314	279	1,57	1,31	1,12
65	5	399	309	1,69	1,50	1,29
65	7,2	443	324	1,74	1,59	1,37
65	10	505	344	1,82	1,71	1,47

CECOMAF

Tc °C	Te °C	Cooling Capacity W	Consumption W	Current A	COP W/W	EER kCal/Wh
40	-15	318	191	1,25	1,66	1,44
40	-10	362	200	1,28	1,80	1,56
40	-5	428	214	1,33	2,00	1,73
40	0	516	232	1,40	2,22	1,92
40	5	627	255	1,48	2,47	2,13
40	7,2	683	266	1,52	2,57	2,22
40	10	761	281	1,58	2,71	2,34

45	-15	293	196	1,27	1,49	1,29
45	-10	332	207	1,31	1,60	1,39
45	-5	394	222	1,36	1,77	1,53
45	0	478	242	1,43	1,98	1,71
45	5	585	266	1,52	2,20	1,90
45	7,2	639	278	1,57	2,30	1,99
45	10	714	294	1,63	2,43	2,10

50	-15	268	201	1,29	1,33	1,15
50	-10	303	214	1,33	1,42	1,22
50	-5	360	231	1,39	1,56	1,35
50	0	440	252	1,47	1,75	1,51
50	5	542	277	1,56	1,95	1,69
50	7,2	594	290	1,61	2,05	1,77
50	10	666	307	1,68	2,17	1,87

55	-15	243	206	1,30	1,18	1,02
55	-10	274	220	1,35	1,24	1,07
55	-5	326	239	1,42	1,37	1,18
55	0	402	262	1,51	1,54	1,33
55	5	499	289	1,61	1,73	1,49
55	7,2	549	302	1,66	1,82	1,57
55	10	619	320	1,73	1,93	1,67

60	-15	219	211	1,32	1,03	0,89
60	-10	244	227	1,38	1,08	0,93
60	-5	293	247	1,45	1,18	1,02
60	0	363	271	1,54	1,34	1,16
60	5	456	300	1,65	1,52	1,31
60	7,2	504	314	1,70	1,61	1,39
60	10	572	333	1,78	1,72	1,48

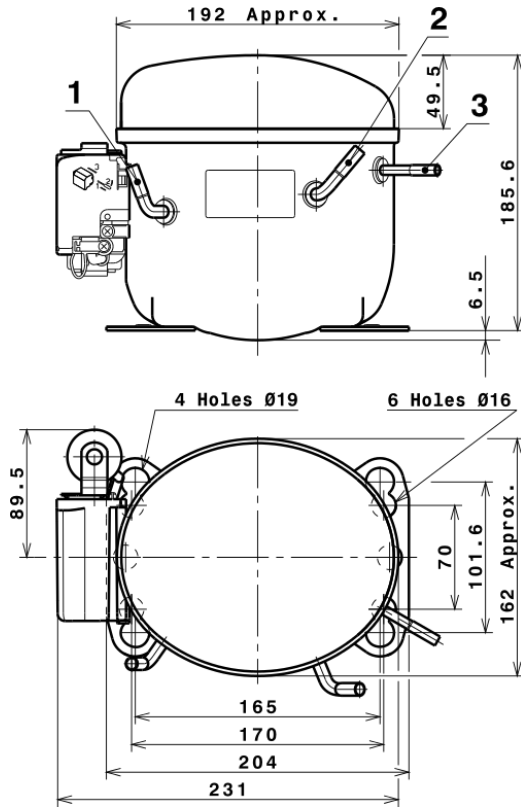
65	-15	194	216	1,34	0,90	0,77
65	-10	215	234	1,40	0,92	0,80
65	-5	259	255	1,48	1,01	0,88
65	0	325	281	1,58	1,16	1,00
65	5	414	311	1,69	1,33	1,15
65	7,2	460	326	1,75	1,41	1,22
65	10	525	346	1,83	1,52	1,31

EN12900

X	Cooling Capacity (W)	Consumption (W)	Current (A)	Mass Flow (kg/h)
1	824,3950086520	157,7293619993	1,1169396887	13,898420250653
2	27,2913810030	1,5837566674	0,0052661649	0,50850476389315
3	-7,8672624686	2,0115660555	0,0075293521	-0,065451882061409
4	0,4396705273	0,0905308946	0,0003620433	0,012418456315145
5	-0,1887589344	0,0655077534	0,0002573199	-0,00078371813041619

Equation	$x_1 + x_2Te + x_3Tc + x_4Te^2 + x_5TeTc$
----------	---

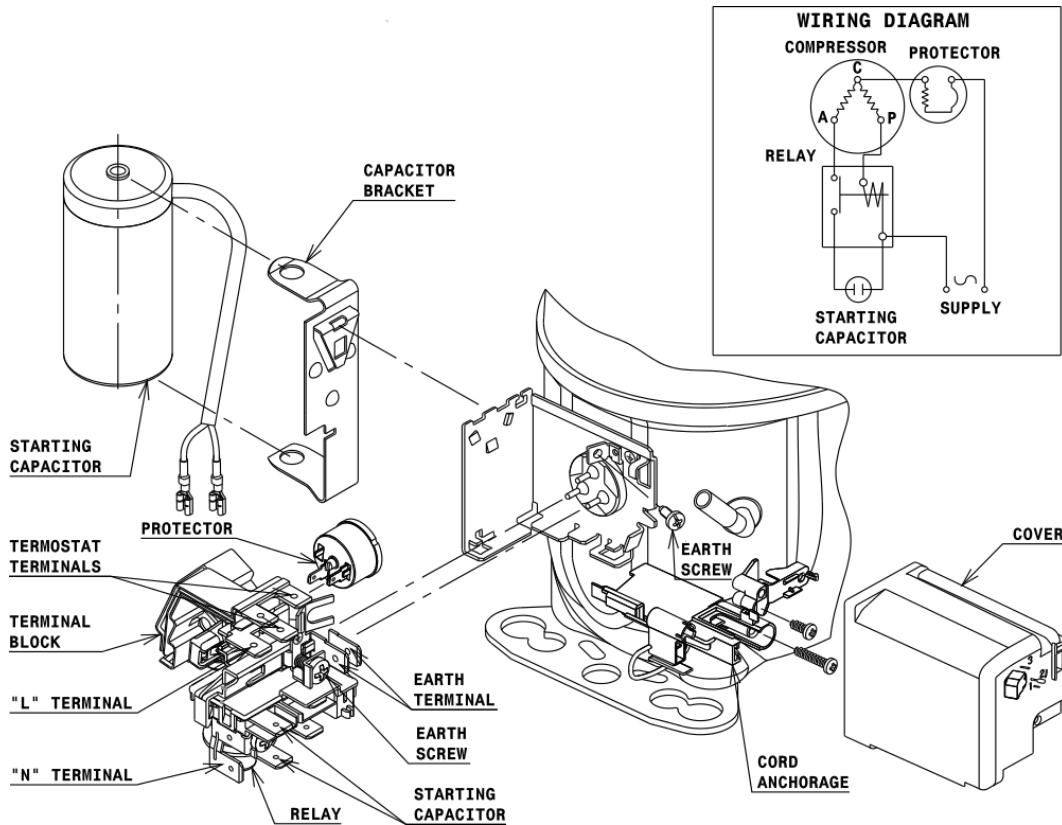
COMPRESSOR DIMENSIONS



DESIGNATION	INTERNAL DIAM.
1 Suction	6,5 mm
2 Service	6,5 mm
3 Discharge	4,9 mm

WIRING DIAGRAMS AND ELECTRICAL ASSEMBLY

CSIR CONNECTION (L, P ranges)



Technical Data Sheet

FIXINGS



SILENT BLOCKS (MOUNTING ACCESSORIES)

STANDARD

Ø16 holes (170x70 net)



AMERICAN FEET

Ø19 holes (165x101.6 net)



SNAP-ON

Ø16 holes (170x70 net)



SOA

SOA R134a HBP

