

Technical Data Sheet

Compressor model **GLY12RAb**
 Voltage **220-240V 50Hz ~1**
 Refrigerant **R134a**

APPLICATION

COMPRESSOR

MOTOR

Application	High Back Pressure	Displacement	10,70 cm ³	Nominal Power	3/8 hp
Refrigerant	R134a	Diameter	25,40 mm	Voltage/Frequency	220-240V 50Hz
Evaporating Temp.	-15,0 °C to 10,0 °C	Stroke	21,12 mm	Voltage range	198-255 V
Expansion	Capillar/Valve	Net Weight	10,33 Kg	Type	CSR
Comp. Cooling	Fan cooled	Oil type	ISO VG 32 ESTER	Phase number	1 PH
Max. ambient temp.	43,0 °C	Oil charge	345 cm ³	Locked Rotor Amps (LRA)	14,80 A
Compatible refriger.	R1234yf			Max. Cont. Current (MCC)	3,40 A
				Main W. resist. at 25°C	8,43 Ω
				Start W. resist. at 25°C	31,30 Ω

NOMINAL PERFORMANCE

APPROVALS

	ASHRAE	CECOMAF
Cooling Capacity	900 kCal/h	867 W
COP	2,57 W/W	2,20 W/W
EER	2,21 kCal/Wh	1,90 kCal/Wh
Input Power	407 W	395 W
Current	1,99 A	1,94 A

TEST CYCLE CONDITIONS

	ASHRAE HBP (D)	CECOMAF HBP (C)
Evaporating temp. (T _e)	7,2 °C	5,0 °C
Condensing temp. (T _c)	55,0 °C	55,0 °C
Liquid temp. (T _{liq.})	46,0 °C	55,0 °C
Ambient temp. (T _{amb.})	35,0 °C	32,0 °C
Suction temp. (T _{suction})	35,0 °C	32,0 °C
Voltage/Frequency	220 V 50 Hz	220 V 50 Hz

ELECTRICAL COMPONENTS

Starting capacitor	47- 56 μF 330 V		
Run capacitor	6 μF 400 V		
Relay	Option 1	Option 2	
Reference	2014 138. + NTC15Ω	QLZ 6.1A + NTC15Ω	
Pick-Up	6.1 A	6.1 A	
Drop-Out	5.2 A	5.2 A	
Protector	Option 1	Option 2	
Reference	T0181	AE39FS	
Current	11,10 A	11,00 A	
Time check	7,5-14 seg	7,5-14 seg	
Disc temp. (Open/Close)	105,00 / 61,00 °C	110,00 / 62,00 °C	

ASHRAE

Tc °C	Te °C	Cooling Capacity kCal/h	Consumption W	Current A	COP W/W	EER kCal/Wh
40	-15	408	249	1,33	1,91	1,64
40	-10	512	272	1,43	2,19	1,88
40	-5	642	295	1,52	2,53	2,17
40	0	797	319	1,62	2,90	2,50
40	5	977	344	1,73	3,30	2,84
40	7,2	1.065	355	1,77	3,49	3,00
40	10	1.184	369	1,83	3,73	3,21

45	-15	382	254	1,35	1,75	1,51
45	-10	480	279	1,46	2,00	1,72
45	-5	603	306	1,57	2,29	1,97
45	0	751	333	1,68	2,63	2,26
45	5	925	360	1,79	2,99	2,57
45	7,2	1.010	372	1,85	3,15	2,71
45	10	1.125	388	1,91	3,37	2,90

50	-15	356	258	1,37	1,60	1,38
50	-10	447	287	1,49	1,81	1,56
50	-5	564	316	1,61	2,07	1,78
50	0	706	346	1,73	2,37	2,04
50	5	873	376	1,86	2,70	2,32
50	7,2	955	390	1,92	2,85	2,45
50	10	1.066	407	1,99	3,05	2,62

55	-15	330	263	1,39	1,46	1,25
55	-10	414	294	1,52	1,64	1,41
55	-5	524	326	1,65	1,87	1,61
55	0	660	359	1,79	2,14	1,84
55	5	821	392	1,93	2,43	2,09
55	7,2	900	407	1,99	2,57	2,21
55	10	1.008	426	2,07	2,75	2,37

60	-15	304	268	1,41	1,32	1,14
60	-10	382	302	1,55	1,47	1,27
60	-5	485	337	1,70	1,68	1,44
60	0	614	372	1,85	1,92	1,65
60	5	769	408	2,00	2,19	1,88
60	7,2	845	424	2,06	2,32	1,99
60	10	949	445	2,15	2,48	2,13

65	-15	278	272	1,43	1,19	1,02
65	-10	349	309	1,58	1,31	1,13
65	-5	446	347	1,74	1,50	1,29
65	0	569	385	1,90	1,72	1,48
65	5	717	424	2,06	1,96	1,69
65	7,2	790	442	2,13	2,08	1,79
65	10	890	464	2,23	2,23	1,92

CECOMAF

Tc °C	Te °C	Cooling Capacity W	Consumption W	Current A	COP W/W	EER kCal/Wh
40	-15	439	250	1,34	1,76	1,52
40	-10	552	273	1,43	2,02	1,75
40	-5	692	297	1,53	2,33	2,01
40	0	859	321	1,63	2,67	2,31
40	5	1.052	346	1,74	3,04	2,63
40	7,2	1.146	357	1,78	3,21	2,77
40	10	1.273	372	1,84	3,42	2,96

45	-15	409	255	1,36	1,60	1,39
45	-10	514	281	1,46	1,83	1,58
45	-5	646	307	1,58	2,10	1,82
45	0	805	335	1,69	2,41	2,08
45	5	991	362	1,80	2,73	2,36
45	7,2	1.081	375	1,86	2,88	2,49
45	10	1.203	391	1,92	3,08	2,66

50	-15	379	260	1,38	1,46	1,26
50	-10	476	288	1,50	1,65	1,43
50	-5	600	318	1,62	1,89	1,63
50	0	751	348	1,74	2,16	1,87
50	5	929	378	1,87	2,45	2,12
50	7,2	1.016	392	1,93	2,59	2,24
50	10	1.134	410	2,00	2,77	2,39

55	-15	349	264	1,40	1,32	1,14
55	-10	438	296	1,53	1,48	1,28
55	-5	555	328	1,66	1,69	1,46
55	0	698	361	1,80	1,93	1,67
55	5	867	395	1,94	2,20	1,90
55	7,2	951	410	2,00	2,32	2,00
55	10	1.064	429	2,08	2,48	2,14

60	-15	319	269	1,42	1,19	1,02
60	-10	400	304	1,56	1,32	1,14
60	-5	509	339	1,71	1,50	1,30
60	0	644	374	1,85	1,72	1,49
60	5	806	411	2,01	1,96	1,69
60	7,2	885	427	2,07	2,07	1,79
60	10	994	448	2,16	2,22	1,92

65	-15	289	274	1,44	1,05	0,91
65	-10	362	311	1,59	1,16	1,01
65	-5	463	349	1,75	1,33	1,14
65	0	590	388	1,91	1,52	1,31
65	5	744	427	2,07	1,74	1,51
65	7,2	820	445	2,15	1,85	1,59
65	10	925	467	2,24	1,98	1,71

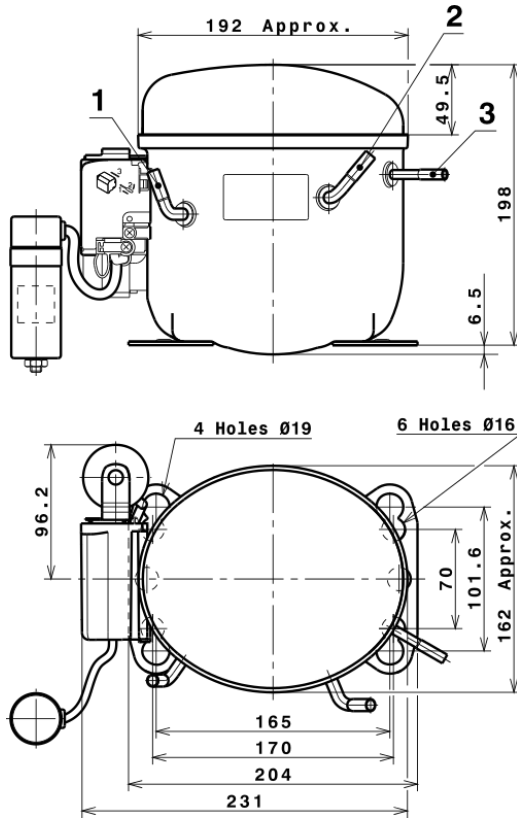
EN12900

X	Cooling Capacity (W)	Consumption (W)	Current (A)	Mass Flow (kg/h)
1	1.293,8096317008	220,1241258506	1,2113505244	21,36866466094
2	48,9700441985	0,3986028705	0,0016608453	0,87719174519458
3	-11,1544776051	2,7350307695	0,0113959615	-0,06330327868686
4	0,5283064870	0,0162190313	0,0000675793	0,015482000001125
5	-0,3337922414	0,1183118443	0,0004929660	-0,00067445432764572

Equation	$x_1 + x_2Te + x_3Tc + x_4Te^2 + x_5TeTc$
----------	---

Technical Data Sheet

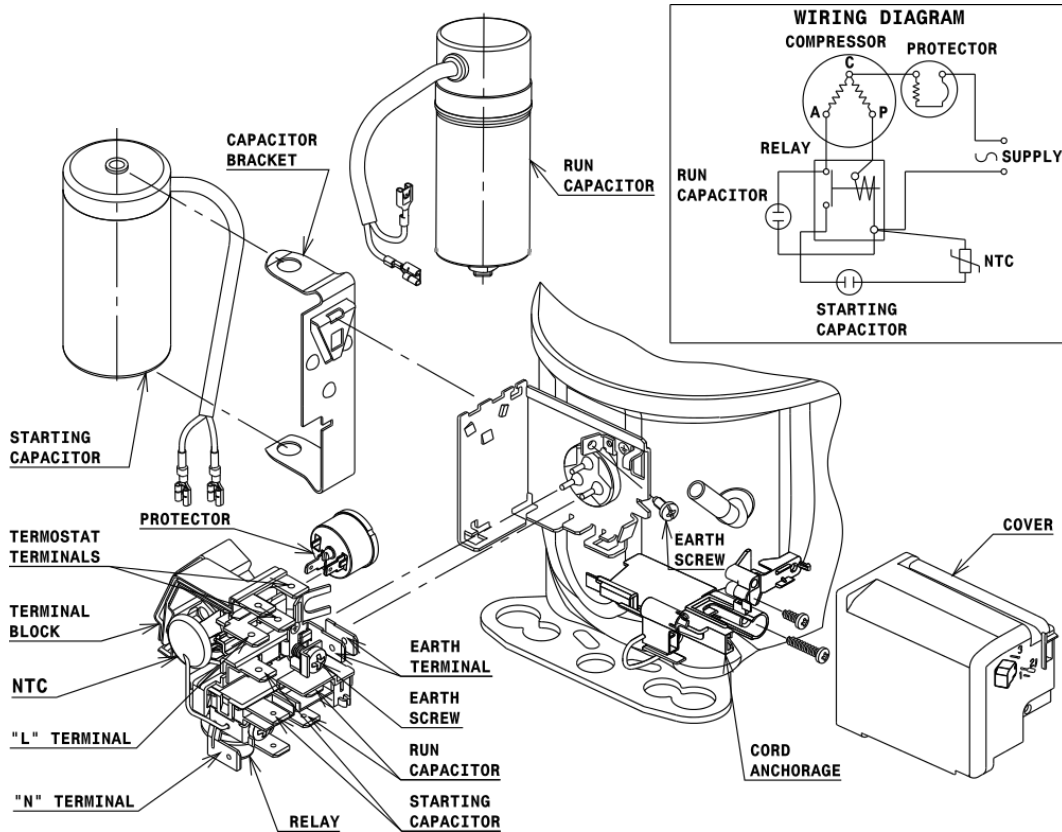
COMPRESSOR DIMENSIONS



DESIGNATION	INTERNAL DIAM.
1 Suction	8,1 mm
2 Service	8,1 mm
3 Discharge	6,5 mm

WIRING DIAGRAMS AND ELECTRICAL ASSEMBLY

CSR CONNECTION (CURRENT RELAY + NTC) (L, P ranges)



FIXINGS



SILENT BLOCKS (MOUNTING ACCESSORIES)

STANDARD

$\varnothing 16$ holes (170x70 net)



AMERICAN FEET

$\varnothing 19$ holes (165x101.6 net)



SNAP-ON

$\varnothing 16$ holes (170x70 net)



SOA

SOA R134a HBP

