

Technical Data Sheet

Compressor model **GLY12RGb**
 Voltage **200-220/220-230V 50/60Hz ~1**
 Refrigerant **R134a**

APPLICATION		COMPRESSOR		MOTOR	
Application	High Back Pressure	Displacement	10,70 cm ³	Nominal Power	3/8 hp
Refrigerant	R134a	Diameter	25,40 mm	Voltage/Frequency	200-220V 50Hz
Evaporating Temp.	-15,0 °C to 10,0 °C	Stroke	21,12 mm	Voltage range	170-233 V
Expansion	Capillar/Valve	Net Weight	10,53 Kg	Type	CSR
Comp. Cooling	Fan cooled	Oil type	ISO VG 32 ESTER	Phase number	1 PH
Max. ambient temp.	43,0 °C	Oil charge	345 cm ³	Locked Rotor Amps (LRA)	17,00 A
Compatible refriger.	R1234yf			Max. Cont. Current (MCC)	4,20 A
				Main W. resist. at 25°C	6,30 Ω
				Start W. resist. at 25°C	17,00 Ω

NOMINAL PERFORMANCE

	ASHRAE	CECOMAF
Cooling Capacity	900 kCal/h	867 W
COP	2,32 W/W	1,98 W/W
EER	1,99 kCal/Wh	1,71 kCal/Wh
Input Power	452 W	439 W
Current	2,78 A	2,73 A

APPROVALS



TEST CYCLE CONDITIONS

	ASHRAE HBP (D)	CECOMAF HBP (C)
Evaporating temp. (T _e)	7,2 °C	5,0 °C
Condensing temp. (T _c)	55,0 °C	55,0 °C
Liquid temp. (T _{liq.})	46,0 °C	55,0 °C
Ambient temp. (T _{amb.})	35,0 °C	32,0 °C
Suction temp. (T _{suction})	35,0 °C	32,0 °C
Voltage/Frequency	220 V 50 Hz	220 V 50 Hz

ELECTRICAL COMPONENTS

Starting capacitor	47- 56 μF 330 V		
Run capacitor	6 μF 400 V		
Relay	Option 1	Option 2	
Reference	2014 138. + NTC15Ω	QLZ 6.1A + NTC15Ω	
Pick-Up	6.1 A	6.1 A	
Drop-Out	5.2 A	5.2 A	
Protector	Option 1		
Reference	T0266		
Current	11,00 A		
Time check	7,5-14 seg		
Disc temp. (Open/Close)	105,00 / 52,00 °C		

ASHRAE

Tc °C	Te °C	Cooling Capacity kCal/h	Consumption W	Current A	COP W/W	EER kCal/Wh
40	-15	405	304	2,37	1,55	1,33
40	-10	509	325	2,41	1,82	1,56
40	-5	638	348	2,47	2,13	1,83
40	0	793	372	2,53	2,48	2,13
40	5	974	397	2,60	2,85	2,45
40	7,2	1.061	408	2,63	3,02	2,60
40	10	1.179	423	2,68	3,24	2,79

45	-15	380	304	2,37	1,46	1,25
45	-10	477	328	2,42	1,69	1,45
45	-5	600	354	2,48	1,97	1,69
45	0	749	381	2,55	2,28	1,96
45	5	923	410	2,64	2,62	2,25
45	7,2	1.007	423	2,68	2,77	2,38
45	10	1.122	439	2,74	2,97	2,55

50	-15	355	303	2,37	1,36	1,17
50	-10	446	331	2,43	1,57	1,35
50	-5	562	361	2,50	1,81	1,56
50	0	704	391	2,58	2,09	1,80
50	5	872	423	2,68	2,40	2,06
50	7,2	954	437	2,73	2,54	2,18
50	10	1.065	456	2,79	2,72	2,34

55	-15	330	303	2,37	1,27	1,09
55	-10	414	334	2,43	1,44	1,24
55	-5	524	367	2,51	1,66	1,43
55	0	660	401	2,61	1,91	1,65
55	5	821	436	2,72	2,19	1,88
55	7,2	900	452	2,78	2,32	1,99
55	10	1.008	473	2,86	2,48	2,13

60	-15	305	303	2,37	1,17	1,01
60	-10	383	337	2,44	1,32	1,13
60	-5	487	374	2,53	1,52	1,30
60	0	616	411	2,64	1,74	1,50
60	5	770	449	2,77	1,99	1,71
60	7,2	846	467	2,83	2,11	1,81
60	10	950	489	2,92	2,26	1,94

65	-15	280	302	2,37	1,08	0,93
65	-10	352	341	2,45	1,20	1,03
65	-5	449	380	2,55	1,37	1,18
65	0	571	421	2,67	1,58	1,36
65	5	719	463	2,82	1,81	1,56
65	7,2	793	481	2,89	1,92	1,65
65	10	893	506	2,99	2,05	1,77

CECOMAF

Tc °C	Te °C	Cooling Capacity W	Consumption W	Current A	COP W/W	EER kCal/Wh
40	-15	436	306	2,38	1,43	1,23
40	-10	549	327	2,42	1,68	1,45
40	-5	689	350	2,47	1,97	1,70
40	0	855	374	2,53	2,29	1,98
40	5	1.048	399	2,60	2,63	2,27
40	7,2	1.142	411	2,64	2,78	2,40
40	10	1.268	426	2,69	2,98	2,57

45	-15	407	305	2,37	1,33	1,15
45	-10	512	330	2,43	1,55	1,34
45	-5	644	356	2,49	1,81	1,56
45	0	803	384	2,56	2,09	1,81
45	5	988	412	2,65	2,40	2,07
45	7,2	1.078	425	2,69	2,53	2,19
45	10	1.200	442	2,75	2,71	2,34

50	-15	378	305	2,37	1,24	1,07
50	-10	475	333	2,43	1,43	1,23
50	-5	599	363	2,50	1,65	1,43
50	0	750	394	2,59	1,91	1,65
50	5	928	426	2,69	2,18	1,88
50	7,2	1.014	440	2,74	2,30	1,99
50	10	1.132	459	2,81	2,47	2,13

55	-15	349	305	2,37	1,15	0,99
55	-10	438	336	2,44	1,30	1,13
55	-5	555	369	2,52	1,50	1,30
55	0	698	403	2,62	1,73	1,49
55	5	867	439	2,73	1,98	1,71
55	7,2	951	455	2,79	2,09	1,81
55	10	1.064	476	2,87	2,24	1,93

60	-15	320	304	2,37	1,05	0,91
60	-10	402	339	2,45	1,18	1,02
60	-5	510	376	2,54	1,36	1,17
60	0	645	413	2,65	1,56	1,35
60	5	807	452	2,78	1,78	1,54
60	7,2	887	470	2,85	1,89	1,63
60	10	996	492	2,94	2,02	1,75

65	-15	291	304	2,37	0,96	0,83
65	-10	365	342	2,45	1,06	0,92
65	-5	465	382	2,55	1,22	1,05
65	0	593	423	2,68	1,40	1,21
65	5	747	465	2,83	1,60	1,39
65	7,2	823	484	2,90	1,70	1,47
65	10	928	509	3,01	1,82	1,57

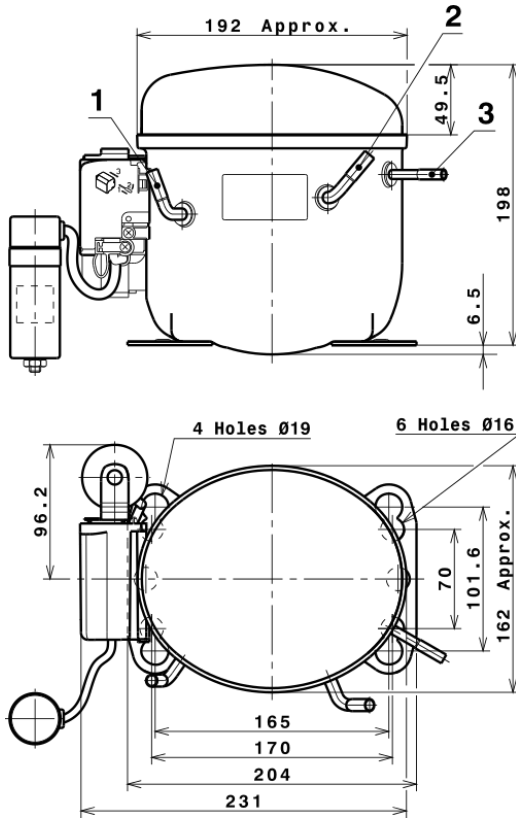
EN12900

X	Cooling Capacity (W)	Consumption (W)	Current (A)	Mass Flow (kg/h)
1	1.279,5018276928	302,3368015230	2,2518970074	21,04530739461
2	48,7930641042	-0,4348831986	-0,0036754321	0,87282978679483
3	-10,8943357141	2,0284611973	0,0072398686	-0,057424055662675
4	0,5283064870	0,0297090759	0,0003878618	0,015482000001125
5	-0,3305744215	0,1398038565	0,0004917015	-0,00059514599310485

Equation	$x_1 + x_2Te + x_3Tc + x_4Te^2 + x_5TeTc$
----------	---

Technical Data Sheet

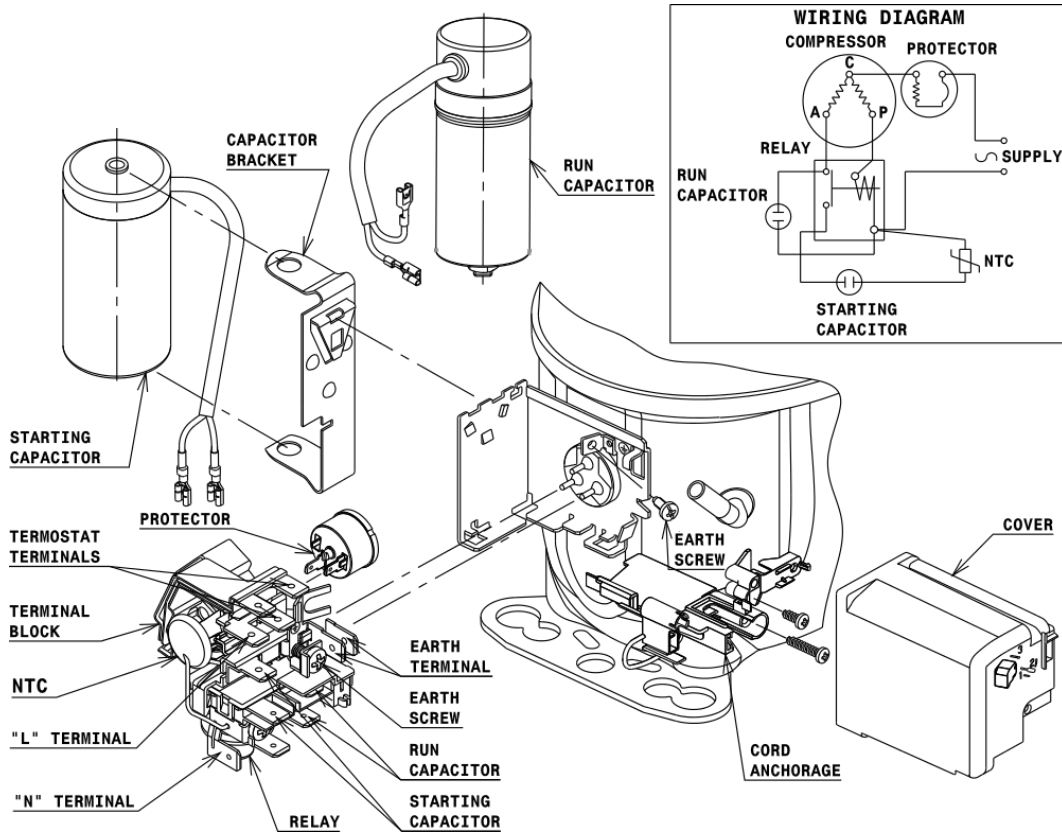
COMPRESSOR DIMENSIONS



DESIGNATION	INTERNAL DIAM.
1 Suction	8,1 mm
2 Service	8,1 mm
3 Discharge	6,5 mm

WIRING DIAGRAMS AND ELECTRICAL ASSEMBLY

CSR CONNECTION (CURRENT RELAY + NTC) (L, P ranges)



Technical Data Sheet

FIXINGS



SILENT BLOCKS (MOUNTING ACCESSORIES)

STANDARD

Ø16 holes (170x70 net)



AMERICAN FEET

Ø19 holes (165x101.6 net)



SNAP-ON

Ø16 holes (170x70 net)



SOA

SOA R134a HBP

