

Technical Data Sheet

Compressor model **GU60TG**
 Voltage **200-230/220-240V 50/60Hz ~1**
 Refrigerant **R134a**
 Compressor status

APPLICATION		COMPRESSOR	MOTOR		
Application	High Back Pressure	Displacement	6,00 cm ³	Voltage/Frequency	200-230V 50Hz
Refrigerant	R134a	Diameter	22,00 mm	Voltage range	170-253 V
Evaporating Temp.	-15,0 °C to 10,0 °C	Stroke	16,00 mm	Type	CSIR
Expansion	Capillar/Valve	Net Weight	8,60 Kg	Phase number	1 PH
Comp. Cooling	Fan cooled	Oil type	ISO VG 22 ESTER	Locked Rotor Amps (LRA)	10,90 A
Max. ambient temp.	43,0 °C	Oil charge	220 cm ³	Main W. resist. at 25°C	13,30 Ω
Compatible refriger.	R1234yf	HP	1/5 hp	Start W. resist. at 25°C	38,50 Ω

NOMINAL PERFORMANCE

	ASHRAE	CECOMAF
Cooling Capacity	550 kCal/h	529 W
COP	2,40 W/W	2,06 W/W
EER	2,06 kCal/Wh	1,78 kCal/Wh
Input Power	267 W	257 W
Current	1,79 A	1,74 A

APPROVALS



TEST CYCLE CONDITIONS

	ASHRAE HBP (D)	CECOMAF HBP (C)
Evaporating temp. (T _e)	7,2 °C	5,0 °C
Condensing temp. (T _c)	55,0 °C	55,0 °C
Liquid temp. (T _{liq.})	46,0 °C	55,0 °C
Ambient temp. (T _{amb.})	35,0 °C	32,0 °C
Suction temp. (T _{suction})	35,0 °C	32,0 °C
Voltage/Frequency	200 V 50 Hz	200 V 50 Hz

ELECTRICAL COMPONENTS

Starting capacitor	50 µF 330 V			
Relay	Option 1			
Reference	QLZ-4.0A			
Pick-Up	4 V			
Drop-Out	3.4 V			
Protector	Option 1			
Reference	B90-105			
Current	9,40 A			
Time check	7,5-16 seg			
Disc temp. (Open/Close)	110,00 / 62,00 °C			

ASHRAE

Tc °C	Te °C	Cooling Capacity kCal/h	Consumption W	Current A	COP W/W	EER kCal/Wh
40	-15	251	159	1,43	1,84	1,58
40	-10	307	169	1,45	2,11	1,81
40	-5	380	182	1,48	2,42	2,08
40	0	470	199	1,52	2,75	2,36
40	5	578	218	1,59	3,08	2,65
40	7,2	631	228	1,62	3,22	2,77
40	10	703	241	1,67	3,39	2,92

45	-15	236	164	1,44	1,68	1,44
45	-10	289	176	1,46	1,91	1,64
45	-5	359	191	1,50	2,19	1,88
45	0	447	209	1,56	2,49	2,14
45	5	552	231	1,63	2,79	2,39
45	7,2	604	241	1,67	2,91	2,51
45	10	675	255	1,73	3,08	2,64

50	-15	222	169	1,45	1,53	1,31
50	-10	272	183	1,48	1,73	1,49
50	-5	339	200	1,53	1,98	1,70
50	0	424	220	1,59	2,25	1,93
50	5	526	243	1,68	2,52	2,17
50	7,2	577	254	1,73	2,64	2,27
50	10	646	269	1,80	2,79	2,40

55	-15	207	174	1,46	1,38	1,19
55	-10	254	190	1,50	1,56	1,34
55	-5	319	208	1,55	1,78	1,53
55	0	401	230	1,63	2,03	1,74
55	5	501	255	1,73	2,28	1,96
55	7,2	550	267	1,79	2,40	2,06
55	10	618	283	1,87	2,54	2,18

60	-15	192	179	1,47	1,25	1,07
60	-10	237	196	1,52	1,40	1,21
60	-5	299	217	1,58	1,60	1,38
60	0	378	240	1,67	1,83	1,57
60	5	475	267	1,79	2,07	1,78
60	7,2	523	280	1,86	2,17	1,87
60	10	589	297	1,95	2,31	1,98

65	-15	178	184	1,48	1,12	0,97
65	-10	219	203	1,54	1,26	1,08
65	-5	278	225	1,61	1,44	1,24
65	0	355	251	1,72	1,65	1,42
65	5	449	279	1,85	1,87	1,61
65	7,2	496	293	1,93	1,97	1,69
65	10	561	311	2,03	2,10	1,80

CECOMAF

Tc °C	Te °C	Cooling Capacity W	Consumption W	Current A	COP W/W	EER kCal/Wh
40	-15	270	160	1,43	1,69	1,46
40	-10	331	170	1,45	1,95	1,68
40	-5	410	183	1,48	2,23	1,93
40	0	507	200	1,53	2,53	2,19
40	5	622	220	1,59	2,83	2,45
40	7,2	679	229	1,63	2,96	2,56
40	10	756	243	1,68	3,12	2,69

45	-15	253	165	1,44	1,54	1,33
45	-10	310	177	1,47	1,75	1,51
45	-5	385	192	1,51	2,01	1,73
45	0	479	210	1,56	2,28	1,97
45	5	591	232	1,64	2,55	2,20
45	7,2	646	243	1,68	2,66	2,30
45	10	722	257	1,74	2,81	2,43

50	-15	236	170	1,45	1,39	1,20
50	-10	289	184	1,48	1,58	1,36
50	-5	361	201	1,53	1,80	1,56
50	0	451	221	1,60	2,04	1,77
50	5	560	244	1,69	2,29	1,98
50	7,2	614	256	1,74	2,40	2,07
50	10	687	271	1,81	2,54	2,19

55	-15	219	175	1,46	1,25	1,08
55	-10	269	191	1,50	1,41	1,22
55	-5	337	209	1,56	1,61	1,39
55	0	424	231	1,64	1,83	1,58
55	5	529	257	1,74	2,06	1,78
55	7,2	581	269	1,80	2,16	1,87
55	10	652	285	1,88	2,29	1,98

60	-15	202	180	1,47	1,12	0,97
60	-10	248	197	1,52	1,26	1,09
60	-5	313	218	1,59	1,44	1,24
60	0	396	242	1,68	1,64	1,42
60	5	498	269	1,80	1,85	1,60
60	7,2	548	282	1,86	1,95	1,68
60	10	618	299	1,96	2,06	1,78

65	-15	185	185	1,49	1,00	0,86
65	-10	228	204	1,54	1,11	0,96
65	-5	289	227	1,62	1,27	1,10
65	0	368	252	1,72	1,46	1,26
65	5	466	281	1,86	1,66	1,43
65	7,2	515	295	1,94	1,75	1,51
65	10	583	313	2,04	1,86	1,61

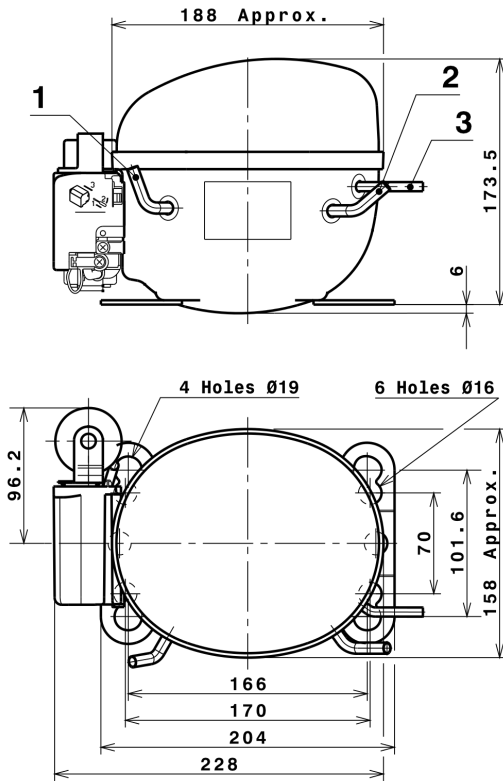
EN12900

X	Cooling Capacity (W)	Consumption (W)	Current (A)	Mass Flow (kg/h)
1	731,6178069846	119,0739547218	1,1655348591	11,684794897754
2	27,1167848932	0,7929005966	-0,0039908181	0,47528138679346
3	-5,7868345421	2,1513871073	0,0089714746	-0,014856306196121
4	0,3616257033	0,0678425560	0,0005451311	0,010472336671323
5	-0,1519069643	0,0748291568	0,0004481795	0,00072025350238964

Equation	$x_1 + x_2Te + x_3Tc + x_4Te^2 + x_5TeTc$
----------	---

Technical Data Sheet

COMPRESSOR DIMENSIONS

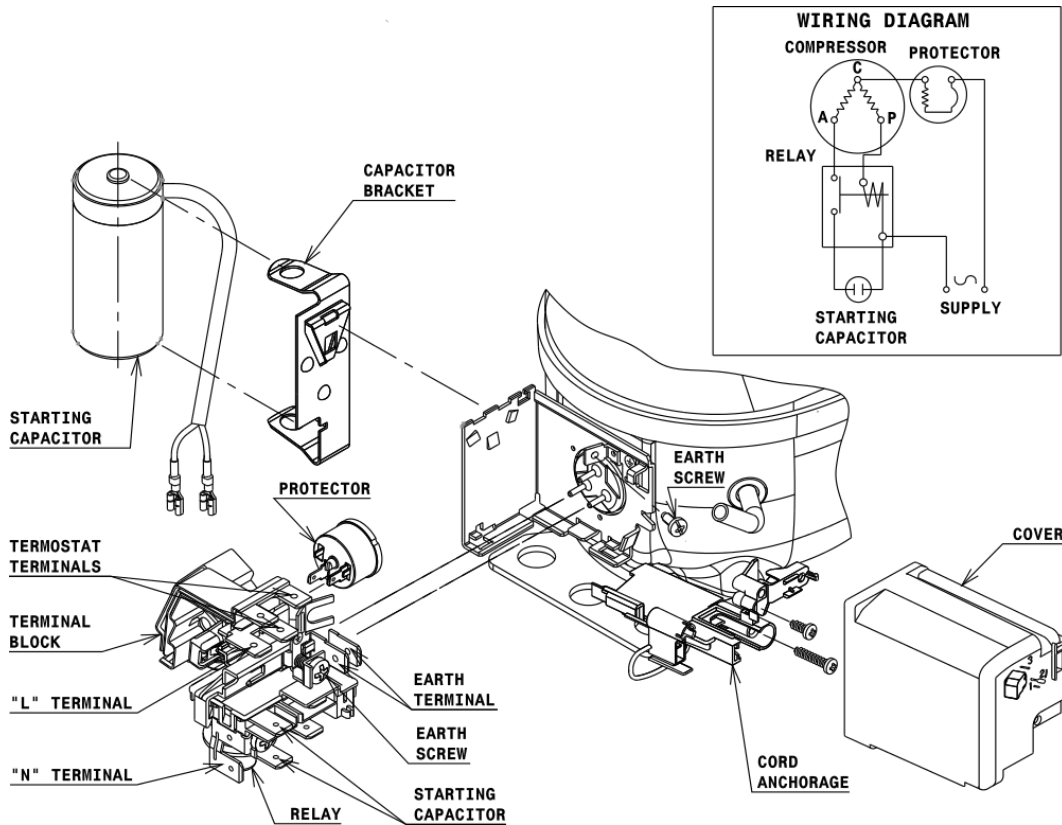


DESIGNATION INTERNAL DIAM.

DESIGNATION	INTERNAL DIAM.
1 Service	6,2 mm
2 Suction	6,2 mm
3 Discharge	4,9 mm

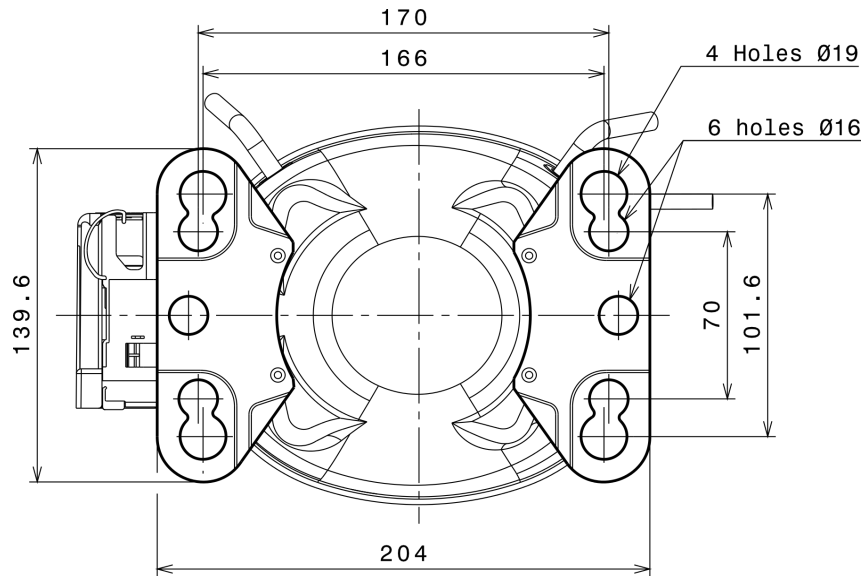
WIRING DIAGRAMS AND ELECTRICAL ASSEMBLY

CSIR CONNECTION (U range)



Technical Data Sheet

FIXINGS



SILENT BLOCKS (MOUNTING ACCESSORIES)

STANDARD

Ø16 holes (170x70 net)



AMERICAN FEET

Ø19 holes (166x101.6 net)



SNAP-ON

Ø16 holes (170x70 net)



SOA

SOA R134a HBP

