

Technical Data Sheet

Compressor model **GX23TG**
 Voltage **200-220/220-230V 50/60Hz ~1**
 Refrigerant **R134a**

APPLICATION

COMPRESSOR

MOTOR

Application	High-Medium Back Pressure	Displacement	23,20 cm ³	Nominal Power	5/8 hp
Refrigerant	R134a	Diameter	34,93 mm	Voltage/Frequency	200-220V 50Hz
Evaporating Temp.	-25,0 °C to 10,0 °C	Stroke	24,20 mm	Voltage range	180-233 V
Expansion	Capillar/Valve	Net Weight	16,34 Kg	Type	CSIR
Comp. Cooling	Fan cooled	Oil type	ISO VG 32 ESTER	Phase number	1 PH
Max. ambient temp.	43,0 °C	Oil charge	500 cm ³	Locked Rotor Amps (LRA)	32,50 A
Compatible refriger.	R1234yf			Max. Cont. Current (MCC)	10,50 A
				Main W. resist. at 25°C	2,36 Ω
				Start W. resist. at 25°C	15,46 Ω

NOMINAL PERFORMANCE

	ASHRAE	CECOMAF
Cooling Capacity	1.780 kCal/h	1.729 W
COP	2,08 W/W	1,79 W/W
EER	1,79 kCal/Wh	1,55 kCal/Wh
Input Power	995 W	966 W
Current	6,70 A	6,58 A

APPROVALS



TEST CYCLE CONDITIONS

	ASHRAE HMBP (D)	CECOMAF HMBP (C)
Evaporating temp. (T _e)	7,2 °C	5,0 °C
Condensing temp. (T _c)	55,0 °C	55,0 °C
Liquid temp. (T _{liq.})	46,0 °C	55,0 °C
Ambient temp. (T _{amb.})	35,0 °C	32,0 °C
Suction temp. (T _{suction})	35,0 °C	32,0 °C
Voltage/Frequency	220 V 50 Hz	220 V 50 Hz

ELECTRICAL COMPONENTS

Starting capacitor	72- 88 μF 330 V			
Relay	Option 1			
Reference	2014 184.			
Pick-Up	18,70 A			
Drop-Out	15,60 A			
Protector	Option 1			
Reference	T0257			
Current	24,00 A			
Time check	6,0-16 seg			
Disc temp. (Open/Close)	120,00 / 52,00 °C			

ASHRAE

Tc °C	Te °C	Cooling Capacity kCal/h	Consumption W	Current A	COP W/W	EER kCal/Wh
40	-25	470	475	5,10	1,15	0,99
40	-20	636	535	5,22	1,38	1,19
40	-15	836	594	5,36	1,64	1,41
40	-10	1.071	652	5,51	1,91	1,64
40	-5	1.340	711	5,67	2,19	1,89
40	0	1.643	768	5,85	2,49	2,14
40	5	1.981	825	6,04	2,79	2,40
40	7,2	2.140	850	6,13	2,93	2,52
40	10	2.352	882	6,25	3,10	2,67

45	-25	429	475	5,10	1,05	0,90
45	-20	583	542	5,24	1,25	1,08
45	-15	771	609	5,39	1,47	1,27
45	-10	993	675	5,57	1,71	1,47
45	-5	1.250	741	5,76	1,96	1,69
45	0	1.541	806	5,97	2,22	1,91
45	5	1.866	870	6,20	2,49	2,14
45	7,2	2.020	898	6,31	2,62	2,25
45	10	2.226	934	6,45	2,77	2,38

50	-25	389	475	5,10	0,95	0,82
50	-20	530	550	5,25	1,12	0,96
50	-15	706	624	5,43	1,32	1,13
50	-10	916	697	5,63	1,53	1,31
50	-5	1.160	771	5,86	1,75	1,51
50	0	1.439	843	6,11	1,98	1,71
50	5	1.751	915	6,37	2,23	1,91
50	7,2	1.900	947	6,50	2,33	2,01
50	10	2.099	987	6,66	2,47	2,13

55	-25	348	475	5,10	0,85	0,73
55	-20	477	557	5,27	1,00	0,86
55	-15	640	639	5,47	1,17	1,00
55	-10	838	720	5,70	1,35	1,16
55	-5	1.070	801	5,96	1,55	1,34
55	0	1.336	881	6,24	1,76	1,52
55	5	1.637	960	6,55	1,98	1,70
55	7,2	1.780	995	6,70	2,08	1,79
55	10	1.972	1.039	6,89	2,21	1,90

60	-25	307	475	5,10	0,75	0,65
60	-20	424	565	5,29	0,87	0,75
60	-15	575	654	5,51	1,02	0,88
60	-10	760	743	5,77	1,19	1,02
60	-5	980	831	6,06	1,37	1,18
60	0	1.234	918	6,39	1,56	1,34
60	5	1.522	1.005	6,74	1,76	1,51
60	7,2	1.660	1.043	6,91	1,85	1,59
60	10	1.845	1.092	7,13	1,97	1,69

65	-25	267	475	5,10	0,65	0,56
65	-20	371	572	5,31	0,75	0,65
65	-15	510	669	5,55	0,89	0,76
65	-10	683	765	5,84	1,04	0,89
65	-5	890	861	6,17	1,20	1,03
65	0	1.132	956	6,54	1,38	1,18
65	5	1.408	1.050	6,94	1,56	1,34
65	7,2	1.540	1.092	7,13	1,64	1,41
65	10	1.718	1.144	7,39	1,75	1,50

CECOMAF

Tc °C	Te °C	Cooling Capacity W	Consumption W	Current A	COP W/W	EER kCal/Wh
40	-25	506	478	5,10	1,06	0,92
40	-20	687	538	5,23	1,28	1,10
40	-15	904	597	5,36	1,51	1,31
40	-10	1.157	656	5,52	1,76	1,52
40	-5	1.446	715	5,68	2,02	1,75
40	0	1.771	773	5,86	2,29	1,98
40	5	2.133	830	6,06	2,57	2,22
40	7,2	2.303	855	6,15	2,69	2,33
40	10	2.530	887	6,27	2,85	2,46

45	-25	460	478	5,10	0,96	0,83
45	-20	626	545	5,24	1,15	0,99
45	-15	829	612	5,40	1,35	1,17
45	-10	1.067	679	5,58	1,57	1,36
45	-5	1.341	745	5,78	1,80	1,56
45	0	1.652	810	5,99	2,04	1,76
45	5	1.998	876	6,22	2,28	1,97
45	7,2	2.162	904	6,33	2,39	2,07
45	10	2.381	940	6,47	2,53	2,19

50	-25	414	478	5,10	0,87	0,75
50	-20	566	553	5,26	1,02	0,88
50	-15	753	627	5,44	1,20	1,04
50	-10	976	701	5,64	1,39	1,20
50	-5	1.236	775	5,87	1,59	1,38
50	0	1.532	848	6,12	1,81	1,56
50	5	1.864	921	6,40	2,02	1,75
50	7,2	2.021	953	6,52	2,12	1,83
50	10	2.231	993	6,69	2,25	1,94

55	-25	368	478	5,10	0,77	0,67
55	-20	505	560	5,28	0,90	0,78
55	-15	677	642	5,48	1,05	0,91
55	-10	886	724	5,71	1,22	1,06
55	-5	1.131	805	5,97	1,40	1,21
55	0	1.412	886	6,26	1,59	1,38
55	5	1.729	966	6,58	1,79	1,55
55	7,2	1.880	1.001	6,73	1,88	1,62
55	10	2.082	1.046	6,92	1,99	1,72

60	-25	322	478	5,10	0,67	0,58
60	-20	444	568	5,29	0,78	0,68
60	-15	602	657	5,52	0,92	0,79
60	-10	796	747	5,78	1,07	0,92
60	-5	1.026	835	6,08	1,23	1,06
60	0	1.292	924	6,41	1,40	1,21
60	5	1.595	1.012	6,77	1,58	1,36
60	7,2	1.739	1.050	6,94	1,66	1,43
60	10	1.933	1.099	7,17	1,76	1,52

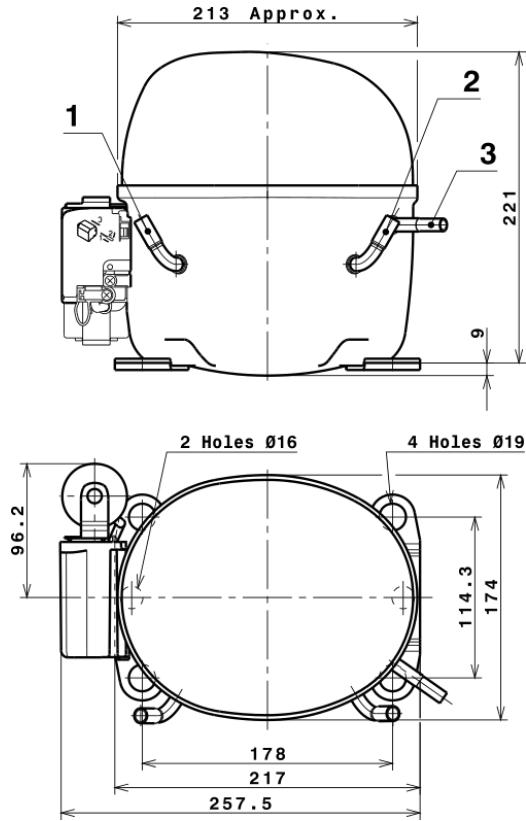
65	-25	276	478	5,10	0,58	0,50
65	-20	383	575	5,31	0,67	0,58
65	-15	526	673	5,56	0,78	0,68
65	-10	706	769	5,85	0,92	0,79
65	-5	921	866	6,19	1,06	0,92
65	0	1.172	962	6,56	1,22	1,05
65	5	1.460	1.057	6,97	1,38	1,19
65	7,2	1.598	1.099	7,17	1,45	1,26
65	10	1.784	1.152	7,42	1,55	1,34

EN12900

X	Cooling Capacity (W)	Consumption (W)	Current (A)	Mass Flow (kg/h)
1	2.738,4634550676	482,1426345937	4,6082275666	45,860752315079
2	92,5369166424	-0,3495216057	-0,0048843740	1,7223260740785
3	-24,7434752896	7,7654238389	0,0316774647	-0,17314079725378
4	0,7096321571	-0,0043653448	0,0006318559	0,020552546497028
5	-0,6187960593	0,3106169536	0,0012670986	-0,0022156660758304

Equation	$x_1 + x_2Te + x_3Tc + x_4Te^2 + x_5TeTc$
----------	---

COMPRESSOR DIMENSIONS

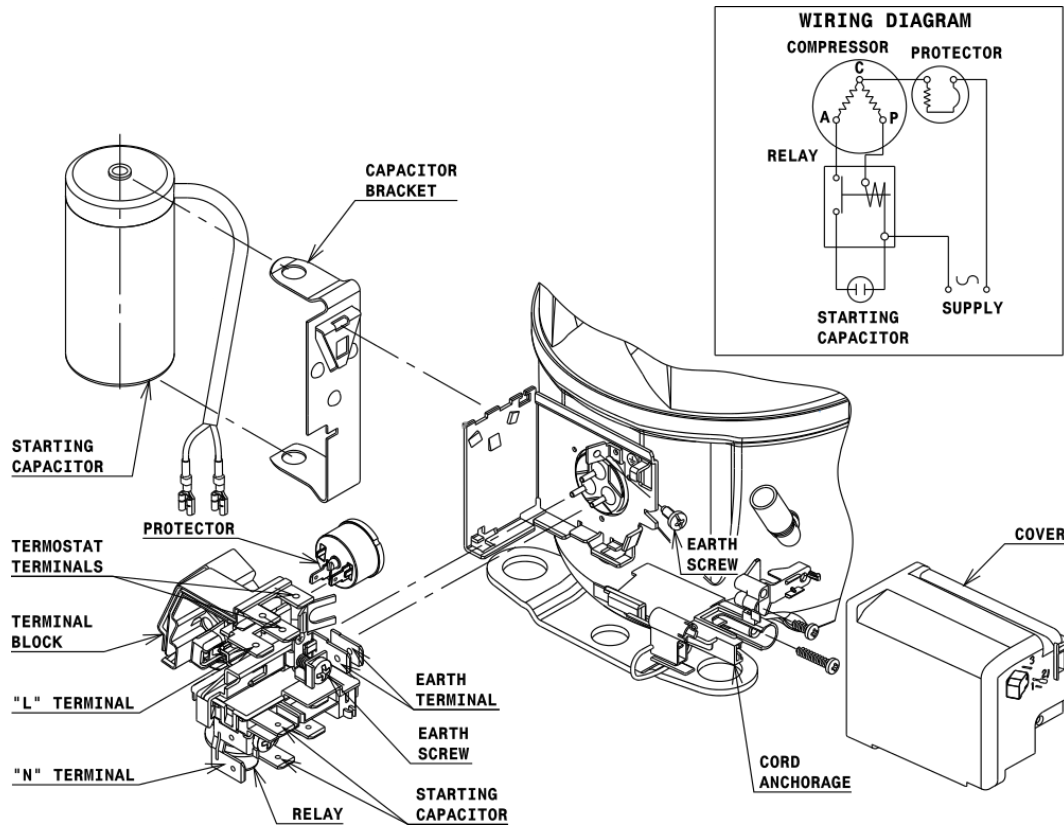


DESIGNATION INTERNAL DIAM.

1	Service	9,7 mm
2	Suction	9,7 mm
3	Discharge	6,5 mm

WIRING DIAGRAMS AND ELECTRICAL ASSEMBLY

CSIR CONNECTION (X range)



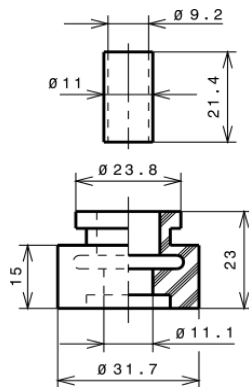
FIXINGS



SILENT BLOCKS (MOUNTING ACCESSORIES)

STANDARD

$\varnothing 19$ holes (178x114.3 net)



SOA

SOA R134a HMBP

