

# Technical Data Sheet

Compressor model **MS26FB\_V**  
 Voltage **220-240V 50Hz ~1**  
 Refrigerant **R404A**

## APPLICATION

Application	Low Back Pressure
Refrigerant	R404A
Evaporating Temp.	-40,0 °C to -10,0 °C
Expansion	Capillar/Valve
Comp. Cooling	Fan cooled
Max. ambient temp.	43,0 °C

## COMPRESSOR

Displacement	25,93 cm <sup>3</sup>
Diameter	39,98 mm
Stroke	20,65 mm
Net Weight	21,18 Kg
Oil type	ISO VG 46 ESTER
Oil charge	700 cm <sup>3</sup>

## MOTOR

Nominal Power	3/4 hp
Voltage/Frequency	220-240V 50Hz
Voltage range	187-255 V
Type	CSR
Phase number	1 PH
Locked Rotor Amps (LRA)	31,50 A
Max. Cont. Current (MCC)	7,30 A
Main W. resist. at 25°C	2,63 Ω
Start W. resist. at 25°C	6,29 Ω

## NOMINAL PERFORMANCE

	ASHRAE	CECOMAF
Cooling Capacity	1.050 kCal/h	814 W
COP	1,37 W/W	0,97 W/W
EER	1,18 kCal/Wh	0,84 kCal/Wh
Input Power	890 W	841 W
Current	4,50 A	4,28 A

## APPROVALS



## TEST CYCLE CONDITIONS

	ASHRAE LBP (B)	CECOMAF LBP (A)
Evaporating temp. (T <sub>e</sub> )	-23,3 °C	-25,0 °C
Condensing temp. (T <sub>c</sub> )	55,0 °C	55,0 °C
Liquid temp. (T <sub>liq.</sub> )	32,0 °C	55,0 °C
Ambient temp. (T <sub>amb.</sub> )	32,0 °C	32,0 °C
Suction temp. (T <sub>suction</sub> )	32,0 °C	32,0 °C
Voltage/Frequency	220 V 50 Hz	220 V 50 Hz

## ELECTRICAL COMPONENTS

Starting capacitor	88-108 μF 330 V		
Run capacitor	16 μF 420 V		
Relay	Option 1	Option 2	
Reference	3ARR3 10AA3	RVA 4M..	
Pick-Up	239-270 V	242-270 V	
Drop-Out	50-110 V	50-110 V	
Protector	Option 1		
Reference	T0260		
Current	22,00 A		
Time check	7,5-14 seg		
Disc temp. (Open/Close)	105,00 / 52,00 °C		

## ASHRAE

Tc °C	Te °C	Cooling Capacity kCal/h	Consumption W	Current A	COP W/W	EER kCal/Wh
40	-40	405	460	2,73	1,02	0,88
40	-35	643	582	3,20	1,29	1,11
40	-30	921	703	3,69	1,52	1,31
40	-25	1.237	822	4,20	1,75	1,50
40	-23,3	1.354	862	4,38	1,83	1,57
40	-20	1.592	940	4,73	1,97	1,69
40	-15	1.987	1.057	5,26	2,19	1,88
40	-10	2.420	1.173	5,82	2,40	2,06

45	-40	340	440	2,65	0,90	0,77
45	-35	568	571	3,16	1,16	0,99
45	-30	834	700	3,68	1,39	1,19
45	-25	1.140	828	4,23	1,60	1,38
45	-23,3	1.252	872	4,42	1,67	1,44
45	-20	1.484	955	4,79	1,81	1,55
45	-15	1.868	1.081	5,38	2,01	1,73
45	-10	2.290	1.205	5,98	2,21	1,90

50	-40	275	420	2,57	0,76	0,65
50	-35	492	559	3,11	1,02	0,88
50	-30	747	698	3,67	1,25	1,07
50	-25	1.042	835	4,26	1,45	1,25
50	-23,3	1.151	881	4,46	1,52	1,31
50	-20	1.376	970	4,86	1,65	1,42
50	-15	1.748	1.104	5,49	1,84	1,58
50	-10	2.160	1.238	6,14	2,03	1,75

55	-40	210	400	2,50	0,61	0,53
55	-35	416	548	3,07	0,88	0,76
55	-30	661	695	3,66	1,11	0,95
55	-25	945	841	4,28	1,31	1,12
55	-23,3	1.050	890	4,50	1,37	1,18
55	-20	1.267	985	4,93	1,50	1,29
55	-15	1.629	1.128	5,60	1,68	1,44
55	-10	2.030	1.270	6,30	1,86	1,60

60	-40	145	380	2,43	0,44	0,38
60	-35	340	537	3,02	0,74	0,63
60	-30	574	693	3,65	0,96	0,83
60	-25	847	847	4,31	1,16	1,00
60	-23,3	949	899	4,54	1,23	1,06
60	-20	1.159	1.000	5,00	1,35	1,16
60	-15	1.510	1.152	5,72	1,52	1,31
60	-10	1.900	1.303	6,46	1,70	1,46

## CECOMAF

Tc °C	Te °C	Cooling Capacity W	Consumption W	Current A	COP W/W	EER kCal/Wh
40	-40	420	460	2,73	0,91	0,79
40	-35	695	582	3,20	1,19	1,03
40	-30	1.002	703	3,69	1,43	1,23
40	-25	1.342	822	4,20	1,63	1,41
40	-23,3	1.465	862	4,38	1,70	1,47
40	-20	1.714	940	4,73	1,82	1,58
40	-15	2.118	1.057	5,26	2,00	1,73
40	-10	2.555	1.173	5,82	2,18	1,88

45	-40	340	440	2,65	0,77	0,67
45	-35	583	571	3,16	1,02	0,88
45	-30	858	700	3,68	1,23	1,06
45	-25	1.166	828	4,23	1,41	1,22
45	-23,3	1.278	872	4,42	1,47	1,27
45	-20	1.506	955	4,79	1,58	1,36
45	-15	1.878	1.081	5,38	1,74	1,50
45	-10	2.282	1.205	5,98	1,89	1,64

50	-40	261	420	2,57	0,62	0,54
50	-35	472	559	3,11	0,84	0,73
50	-30	714	698	3,67	1,02	0,88
50	-25	990	835	4,26	1,19	1,02
50	-23,3	1.091	881	4,46	1,24	1,07
50	-20	1.297	970	4,86	1,34	1,16
50	-15	1.637	1.104	5,49	1,48	1,28
50	-10	2.010	1.238	6,14	1,62	1,40

55	-40	182	400	2,50	0,45	0,39
55	-35	360	548	3,07	0,66	0,57
55	-30	571	695	3,66	0,82	0,71
55	-25	814	841	4,28	0,97	0,84
55	-23,3	904	890	4,50	1,02	0,88
55	-20	1.089	985	4,93	1,11	0,96
55	-15	1.397	1.128	5,60	1,24	1,07
55	-10	1.737	1.270	6,30	1,37	1,18

60	-40	102	380	2,43	0,27	0,23
60	-35	248	537	3,02	0,46	0,40
60	-30	427	693	3,65	0,62	0,53
60	-25	638	847	4,31	0,75	0,65
60	-23,3	717	899	4,54	0,80	0,69
60	-20	881	1.000	5,00	0,88	0,76
60	-15	1.157	1.152	5,72	1,00	0,87
60	-10	1.465	1.303	6,46	1,12	0,97

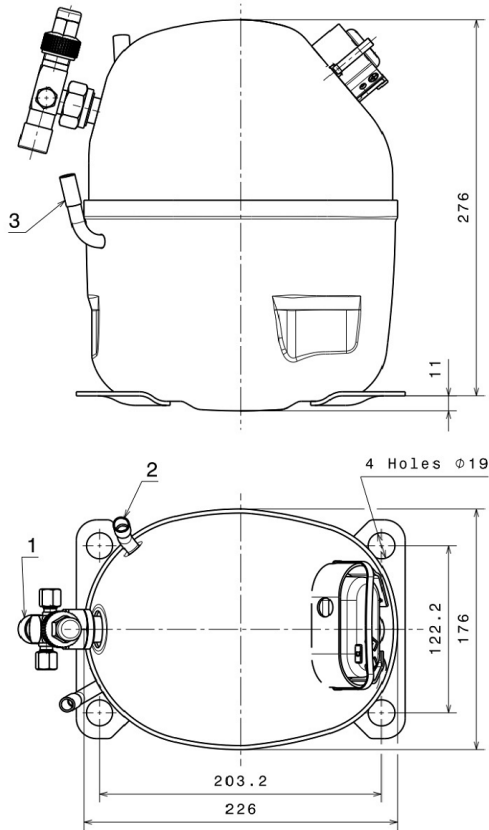
## EN12900

X	Cooling Capacity (W)	Consumption (W)	Current (A)	Mass Flow (kg/h)
1	6.140,1700726602	1.030,5011840027	5,2787616126	135,15811268725
2	152,3507260309	9,1609409409	0,0709544335	3,7314704875424
3	-68,2596757789	10,2621752459	0,0498310575	-0,89496413517802
4	0,6128058390	-0,0189600664	0,0005857104	0,02490248392589
5	-1,3182204762	0,3587684844	0,0016297680	-0,013318655809199

Equation	$x_1 + x_2Te + x_3Tc + x_4Te^2 + x_5TeTc$
----------	---

# Technical Data Sheet

## COMPRESSOR DIMENSIONS

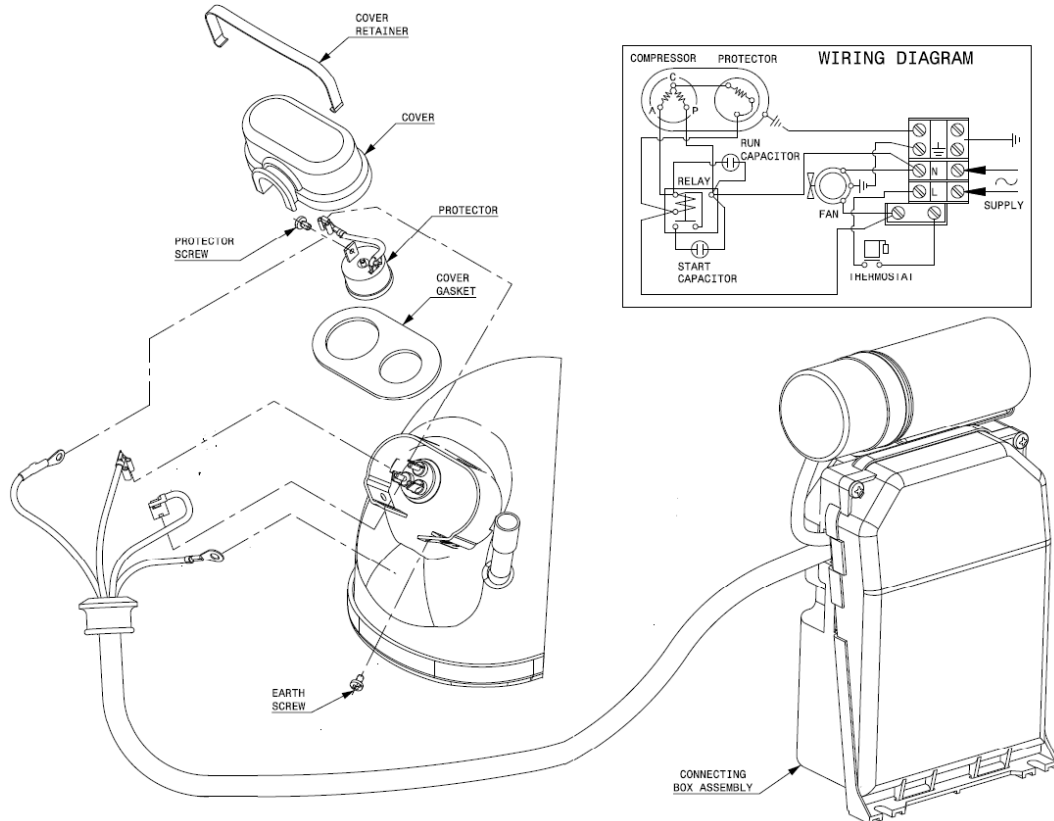


## DESIGNATION INTERNAL DIAM.

1	Service Valve	1/2" SAE
2	Service	9,7 mm
3	Discharge	8,0 mm

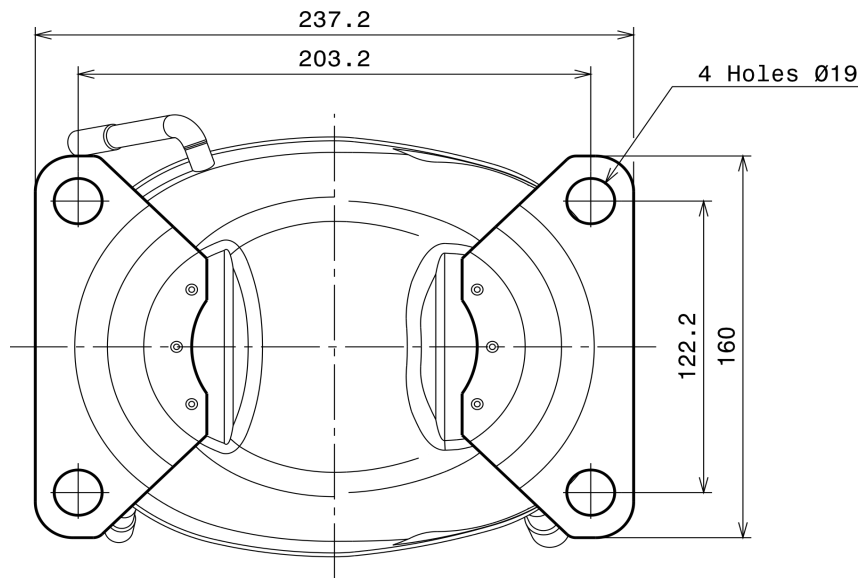
## WIRING DIAGRAMS AND ELECTRICAL ASSEMBLY

### CSR CONNECTION (EXTERNAL CONNECTING BOX) (NS Range)



# Technical Data Sheet

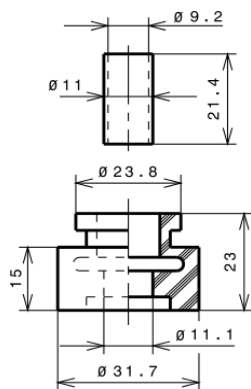
## FIXINGS



## SILENT BLOCKS (MOUNTING ACCESSORIES)

### STANDARD

Ø19 holes (203.2x122.2 net)



## SOA

SOA R404A LBP

